



Bibby Series III Standard and Modified Designs



BIBBY SERIES III GEAR COUPLING

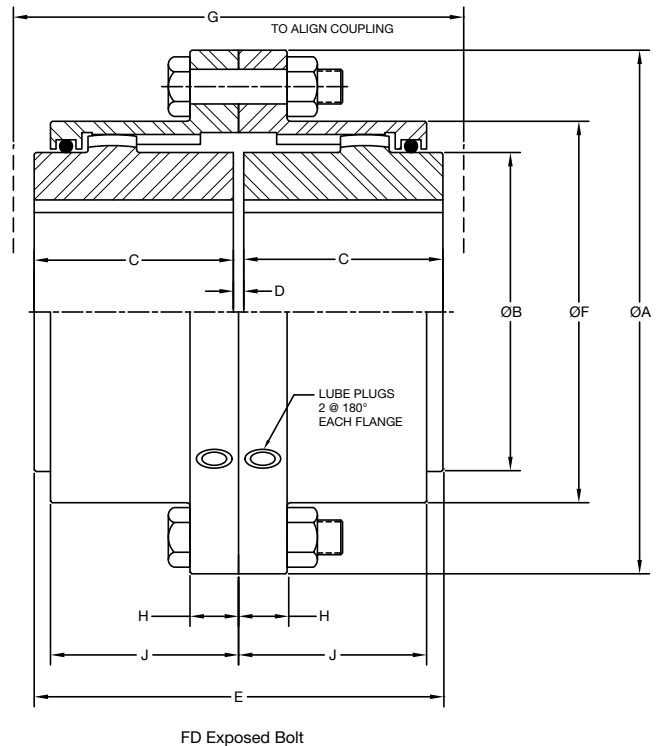
Flexible Couplings Series FD - High Torque

SIZES 15-70

FLANGED SLEEVE — DOUBLE-ENGAGEMENT TYPE

Application: Meets requirements of all standard applications for shaft sizes up to 265 mm. Compensates for both angular misalignment and parallel offset.

Description: Series FD Flexible Coupling is designed with bolted center flanges to facilitate installation and alignment. Optimum separation of gear meshes permits high parallel offset capacity. Flanged-sleeve design makes possible minimum distance between bearing housings to facilitate shaft alignment. The coupling is optimized for the greatest torque capacity.



FD Size	Torque Capacity NM	Maximum Speed RPM	Maximum Bore mm	DIMENSIONS mm										Mass kg	MR ² Inertia kgm ²
				A	B	C	D	E	F	G	H	J			
15	2,373	5,400	55	152.4	79.2	49.3	3.0	101.6	99.6	120.0	19.1	45.0	7.7	0.0170	
20	5,084	4,800	75	177.8	101.6	62.0	3.0	127.0	123.4	150.0	19.1	57.7	13.6	0.0378	
25	8,756	4,300	95	212.9	124.0	77.0	4.8	158.8	148.8	185.0	22.4	71.4	24.1	0.0935	
30	12,993	4,000	110	239.8	146.1	91.2	4.8	187.5	174.2	215.0	22.4	86.1	37.2	0.1808	
35	19,433	3,600	125	279.4	165.1	106.4	6.4	218.9	200.2	255.0	26.9	99.3	57.7	0.3821	
40	30,618	3,200	150	317.5	196.9	120.7	6.4	247.7	234.2	280.0	26.9	113.3	87.6	0.7430	
45	42,029	3,000	175	345.9	228.6	134.9	7.9	277.9	262.9	315.0	26.9	126.5	120.8	1.2230	
50	57,056	2,600	185	388.9	241.3	153.2	7.9	314.5	290.6	350.0	38.1	144.0	167.1	2.1603	
55	81,008	2,400	205	420.6	266.7	168.1	7.9	344.4	322.3	390.0	38.1	158.8	221.6	3.3683	
60	95,018	2,200	230	457.2	298.5	188.2	7.9	384.0	349.3	420.0	25.4	175.0	290.6	5.0191	
70	135,578	1,800	265	527.1	342.9	220.7	9.7	450.9	406.4	490.0	28.4	198.4	441.7	10.0461	

Contact the factory for additional details, modifications and variations.
Combined angular and parallel offset should not exceed + 3/4° per gear mesh.

Bibby Series III Couplings – Fully-Crowned Teeth for Higher Torque, Higher Speed, Higher Misalignment Capacity

ALL SERIES FD COUPLINGS INCORPORATE THE FOLLOWING ENGINEERED FEATURES:

- ±3/4° angular misalignment capacity per gear mesh.
- Torque ratings at full misalignment - in excess of normal requirements for average applications.
- Accurately machined medium carbon steel hubs and sleeves.
- Positive-type O-ring seals keep lubricant in...contaminants out. Seals enshrouded to prevent damage.

BIBBY SERIES III GEAR COUPLING

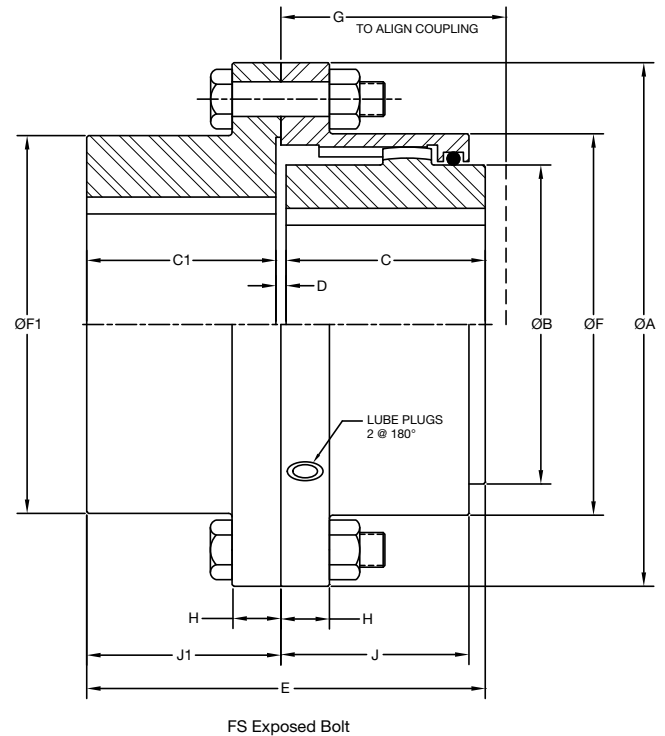
Flexible Couplings Series FS - High Torque

SIZES 15-70

FLANGED SLEEVE — SINGLE-ENGAGEMENT TYPE

Application: Used primarily in tandem pairs, connected by intermediate floating shafts or as individual unit in conjunction with a driver or driven shaft having self-aligning support bearing. When used singly, compensates for angular misalignment only.

Description: Series FS Flexible Coupling consists of one standard flexible half coupling and one rigid half. The bolted center flanges facilitate installation and alignment.



FS Size	Maximum Hub Bore (mm)		Torque Nm	DIMENSIONS													Mass kg	MR ² Inertia kgm ²
	Flex	Rigid		A	B	C	C1	D	E	F	F1	G	H	J	J1			
15	55	75	2,373	152.4	79.2	49.3	45.5	4.1	98.6	99.6	99.6	60.0	19.1	45.0	47.8	8.4	0.0188	
20	75	95	5,084	177.8	101.6	62.0	58.2	4.1	124.0	123.4	123.4	75.0	19.1	57.7	60.5	14.6	0.0416	
25	95	115	8,756	212.9	124.0	77.0	73.9	4.8	155.6	148.8	148.8	95.0	22.4	71.4	76.2	25.7	0.0973	
30	110	135	12,993	239.8	146.1	91.2	86.6	4.8	182.6	174.2	174.2	110.0	22.4	86.1	88.9	38.9	0.1960	
35	125	155	19,433	279.4	165.1	106.4	100.8	5.6	212.6	200.2	200.2	130.0	26.9	99.3	103.1	60.8	0.4134	
40	150	180	30,618	317.5	196.9	120.7	112.8	7.9	241.2	234.2	234.2	140.0	26.9	113.3	117.3	90.8	0.7896	
45	175	200	42,029	345.9	228.6	134.9	127.0	8.6	270.5	262.9	258.6	160.0	26.9	126.5	131.6	124.9	1.2854	
50	185	225	57,056	388.9	241.3	153.2	146.3	8.6	308.1	290.6	290.6	175.0	38.1	144.0	150.9	178.0	2.3891	
55	205	250	81,008	420.6	266.7	168.1	155.7	8.6	332.5	322.3	322.3	195.0	38.1	158.8	160.3	230.2	3.6018	
60	230	270	95,018	457.2	298.5	188.2	181.9	10.4	380.2	349.3	349.3	210.0	25.4	175.0	188.2	311.0	5.1586	
70	265	310	135,578	527.1	342.9	220.7	214.4	12.7	447.7	406.4	400.1	245.0	28.4	198.4	222.3	474.4	10.6919	

Contact the factory for additional details, modifications and variations.
Combined angular and parallel offset should not exceed + 3/4° per gear mesh.

Gear Couplings Bore And Keyway Service

ASK ABOUT OUR EXPRESS BORE AND KEYWAY SERVICE:

- Express: 2-3 working days leadtime
- Standard: 5 working days leadtime



Bibby Turboflex Facilities

Europe

Cannon Way, Dewsbury
West Yorkshire WF13 1EH - England
+44(0) 1924 460801

*Disc, Gear, Grid Couplings,
Overload Clutches*

Africa

Unit 11, Middle Park, Cnr. Craig &
Dormehl Roads
Anderbolt, Boksburg, P.O. Box 16524
Atlasville, 1465 - South Africa
+27(0) 11 918-4270

*Disc, Gear, Grid Couplings,
Overload Clutches*

The Brands of Altra Industrial Motion

Couplings

Ameridrives
www.ameridrives.com

Bibby Turboflex
www.bibbyturboflex.com

Guardian Couplings
www.guardiancouplings.com

Huco
www.huco.com

Lamiflex Couplings
www.lamiflexcouplings.com

Stromag
www.stromag.com

TB Wood's
www.tbwoods.com

Gear Cam Limit Switches

Stromag
www.stromag.com

Electric Clutches & Brakes

Inertia Dynamics
www.idicb.com

Matrix
www.matrix-international.com

Stromag
www.stromag.com

Warner Electric
www.warnerelectric.com

Linear Products

Warner Linear
www.warnerlinear.com

Engineered Bearing Assemblies

Kilian
www.kilianbearings.com

Heavy Duty Clutches & Brakes

Industrial Clutch
www.indclutch.com

Twiflex
www.twiflex.com

Stromag
www.stromag.com

Svendborg Brakes
www.svendborg-brakes.com

Wichita Clutch
www.wichitaclutch.com

Belted Drives

TB Wood's
www.tbwoods.com

Gearing

Bauer Gear Motor
www.bauergears.com

Boston Gear
www.bostongear.com

Delroyd Worm Gear
www.delroyd.com

Nuttall Gear
www.nuttallgear.com

Overrunning Clutches

Formsprag Clutch
www.formsprag.com

Marland Clutch
www.marland.com

Stieber
www.stieberclutch.com

Neither the accuracy nor completeness of the information contained in this publication is guaranteed by the company and may be subject to change in its sole discretion. The operating and performance characteristics of these products may vary depending on the application, installation, operating conditions and environmental factors. The company's terms and conditions of sale can be viewed at <http://www.altramotion.com/terms-and-conditions/sales-terms-and-conditions>. These terms and conditions apply to any person who may buy, acquire or use a product referred to herein, including any person who buys from a licensed distributor of these branded products.

©2018 by Bibby Turboflex LLC. All rights reserved. All trademarks in this publication are the sole and exclusive property of Bibby Turboflex LLC or one of its affiliated companies.

