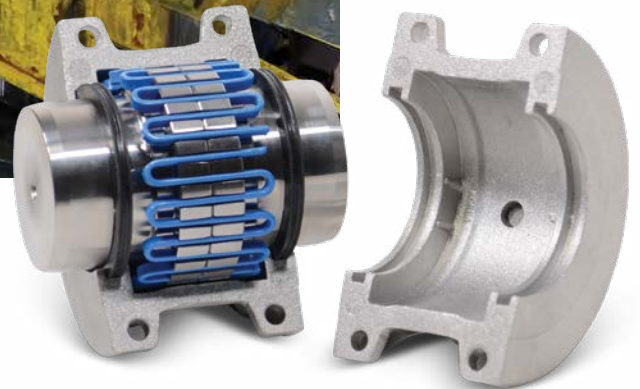




Taper Grid Couplings



ABOUT GUARDIAN COUPLINGS

For more than 70 years, Guardian has been designing and manufacturing world-class couplings and other power transmission components. Utilizing advanced manufacturing technologies and processes, Guardian provides highly-reliable coupling and component solutions to meet the most challenging industrial application requirements.

Guardian provides a wide range of standard and custom products including flywheel couplings, hydraulic pump mounts, bearing supported stub shafts, flexible shaft-to-shaft couplings, motion control couplings as well as compression pipe couplings.

Durable Guardian products are utilized in key industries including mobile hydraulics, farm & ag, tree care, concrete, food & beverage, material handling, automation, power generation, and oil & gas on applications such as skid steers, aerial lifts, harvesters, wood chippers, concrete pumps, dewatering pumps, baggage handlers, conveyors, robotics, compressors, and generator sets.



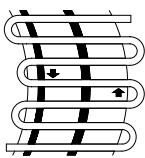
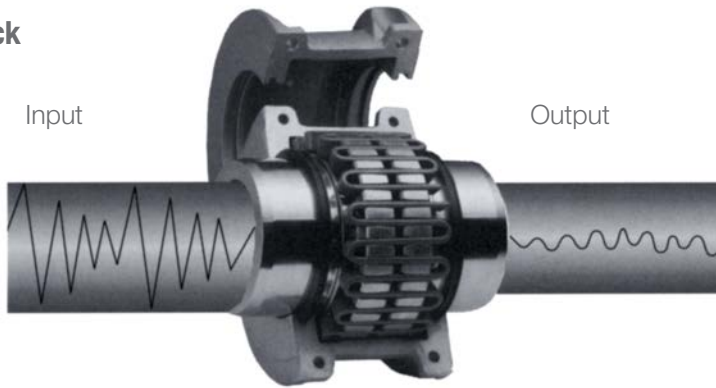
ALTRA COUPLINGS

Altra Couplings offers the largest selection of industrial couplings available from a single source... worldwide. For over 150 years, TB Wood's, Ameridrives, Bibby Turboflex, Lamiflex, Ameridrives Power Transmission, Guardian and Huco, the industry-leading brands of Altra Couplings have been providing innovative coupling solutions to meet the requirements for a broad variety of drivetrain applications spanning many industries including energy, metals, mining, oil & gas, and food processing. Highly-engineered Altra coupling products represent the latest in coupling technology, featuring superior design and exceptional quality to ensure long-lasting performance in all types of environments.

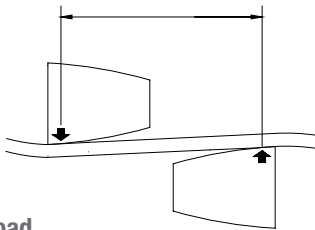
TAPER GRID COUPLINGS

The steel grid coupling is similar in nature to a steel gear coupling, except the connecting sleeve is replaced by a flexible chrome-vanadium alloy leaf spring grid. The steel hubs are cut with profiled slots, allowing the grid to engage circumferentially. The grid “springs” deflect under torque, distributing the peak torque load over a large angle of rotation. The inherent property of torsional softness allows the coupling to absorb shock loads.

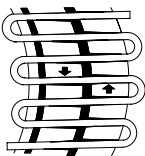
Vibration & Shock



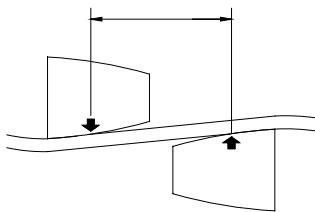
Light Load



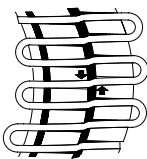
The grid contacts near the outer edges of the hub teeth. A long span between the points of contact remains free to flex under load.



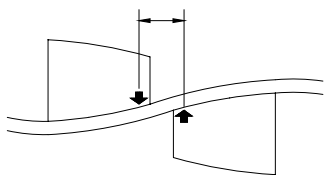
Normal Load



As the load increases, the distance between the contact points on the hub teeth is shortened, but a free span still remains to cushion the load.



Shock Load



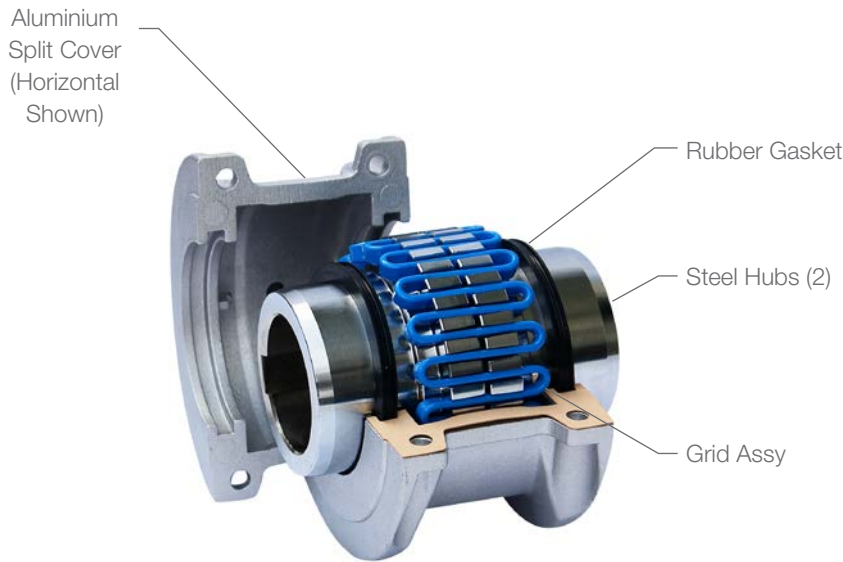
The coupling is flexible within its rated capacity. Under extreme overloads, the grid bears fully on the hub teeth and transmits full load directly.

Advantages

- Overload conditions cause the grid element to shear, like a mechanical fuse.
- Grid can be changed “in place”, saving time.
- Low maintenance.
- Quiet operation.
- Allows for parallel/angular misalignment and permits end float.
- Torsional flexibility.
- Competitively priced.

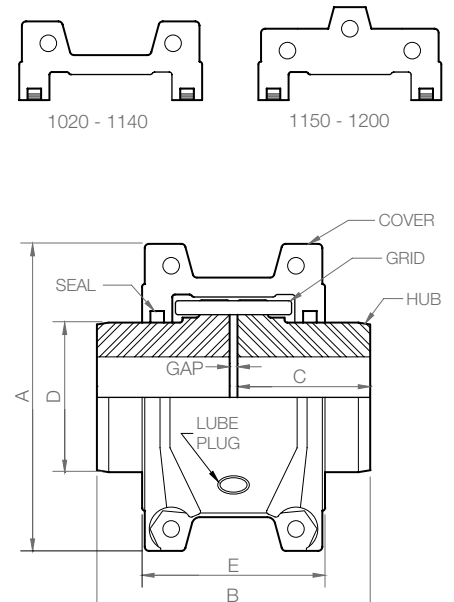
GUARDEX™ STYLE “TG” GRID COUPLING

Horizontal Split Cover



“TG” Tapered Grid

Cover Profiles

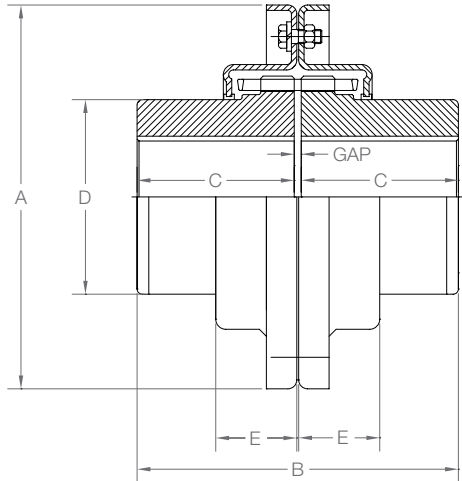
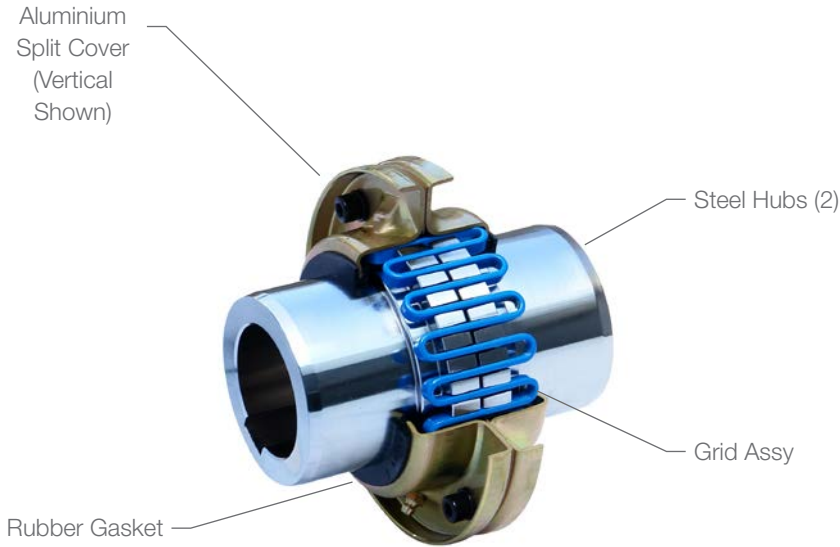


Dimensional Data

Size	HP Per 100 rpm	Max. Speed (rpm)	Nom. Torque IN #	Bore Dia. (IN)		Dimensions (IN)					Gap (IN)		Cplg. Wt #
				Max.	Min.	A	B	C	D	E	Min.	Max.	
1020	0.73	4,500	460	1.18	.47	4.00	3.86	1.87	1.56	2.62	.059	.177	4
1030	2.09	4,500	1,320	1.38	.47	4.33	3.86	1.87	1.94	2.69	.059	.177	6
1040	3.49	4,500	2,200	1.70	.47	4.63	4.12	2.00	2.25	2.75	.059	.177	8
1050	6.11	4,500	3,850	1.97	.47	5.43	4.87	2.37	2.63	3.13	.059	.177	12
1060	9.60	4,350	6,050	2.17	.75	5.93	5.12	2.50	3.00	3.62	.059	.177	16
1070	14.00	4,125	8,800	2.56	.75	6.37	6.12	3.00	3.44	3.74	.059	.177	22
1080	28.80	3,600	18,150	3.07	1.06	7.64	7.12	3.50	4.13	4.57	.059	.177	40
1090	52.40	3,600	33,000	3.75	1.06	8.39	7.87	3.87	4.87	4.80	.059	.236	55
1100	88.10	2,400	55,550	4.21	1.61	9.84	9.67	4.75	5.59	6.12	.059	.236	93
1110	131.00	2,250	82,500	4.61	1.61	10.63	10.18	5.00	6.31	3.36	.059	.375	119
1120	192.00	2,025	121,000	5.35	2.36	12.13	11.98	5.87	7.06	7.54	.059	.375	179
1130	279.00	1,800	176,000	6.50	2.64	13.62	12.98	6.37	8.56	7.68	.059	.500	267
1140	401.00	1,650	253,000	7.25	2.64	15.12	14.63	7.20	10.00	7.91	.059	.500	393
1150	559.00	1,500	352,000	8.00	4.25	17.84	14.64	7.20	10.60	10.68	.059	.500	516
1160	785.00	1,350	495,000	8.98	4.75	19.74	15.83	7.80	12.00	10.98	.059	.500	700
1170	1,047.00	1,225	660,000	10.98	5.25	22.30	17.24	8.50	14.00	11.98	.059	.500	988
1180	1,452.00	1,100	915,200	12.24	6.00	24.80	19.04	9.40	15.50	12.64	.059	.492	1,365
1190	1,920.00	1,050	1,210,000	13.35	6.00	26.60	20.64	10.20	17.20	12.80	.059	.492	1,711
1200	2,618.00	900	1,650,000	14.21	7.00	29.80	22.24	11.00	19.60	14.00	.059	.492	2,330

GUARDEX™ STYLE “TG” GRID COUPLING

Vertical Split Cover



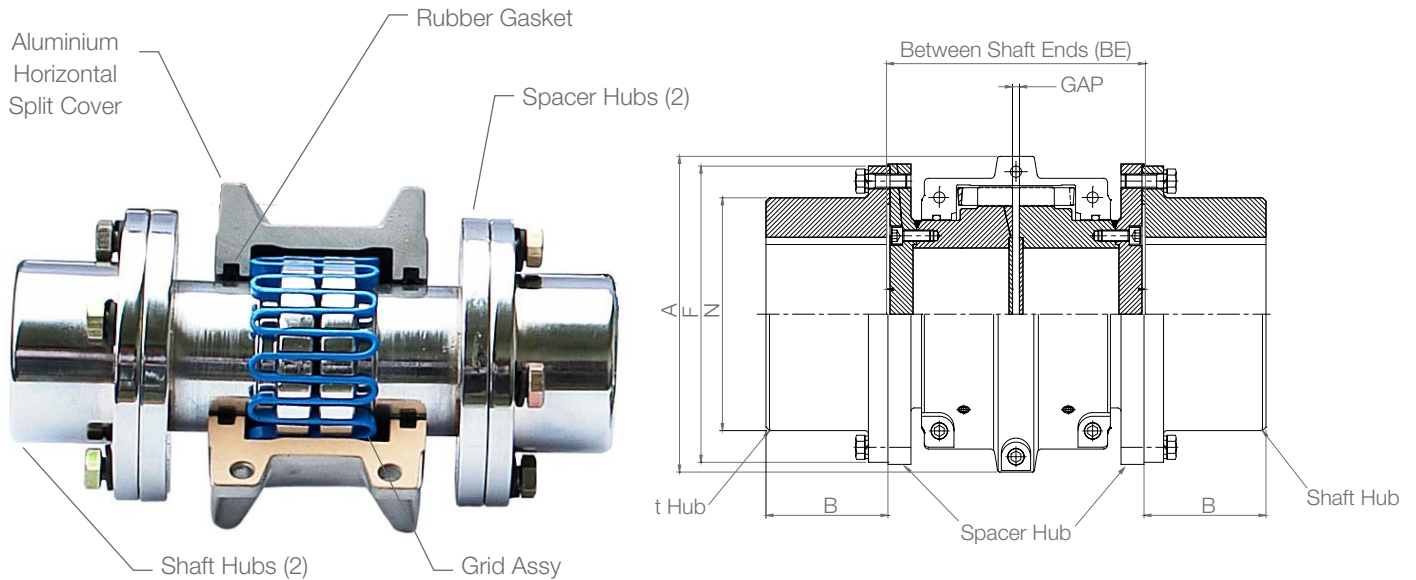
“TG” Tapered Grid

Dimensional Data

Size	HP Per 100 rpm	Max. Speed (rpm)	Nom. Torque IN #	Bore Dia. (IN)		Dimensions (IN)					Gap (IN)		Cplg. Wt #
				Max.	Min.	A	B	C	D	E	Min.	Max.	
1020	0.73	6,000	460	1.18	.50	4.37	3.86	1.87	1.56	.95	.059	.177	4
1030	2.09	6,000	1,320	1.42	.50	4.75	3.86	1.87	1.94	.98	.059	.177	6
1040	3.49	6,000	2,200	1.73	.50	5.06	4.12	2.00	2.25	1.01	.059	.177	7
1050	6.11	6,000	3,850	1.97	.50	5.81	4.87	2.37	2.63	1.23	.059	.177	12
1060	9.60	6,000	6,050	2.24	.75	6.38	5.12	2.50	3.00	1.27	.059	.177	16
1070	14.00	5,500	8,800	2.56	.75	6.81	6.12	3.00	3.44	1.33	.059	.177	23
1080	28.80	4,750	18,150	3.11	1.06	7.87	7.12	3.50	4.13	1.74	.059	.177	39
1090	52.40	4,000	33,000	3.74	1.06	9.13	7.87	3.87	4.87	1.88	.059	.236	56
1100	88.10	3,250	55,550	4.21	1.63	10.50	9.67	4.75	5.59	2.36	.059	.236	93
1110	131.00	3,000	82,500	4.61	1.63	11.25	10.18	5.00	6.31	2.53	.059	.492	120
1120	192.00	2,700	121,000	5.35	2.37	12.56	11.98	5.87	7.06	2.89	.059	.492	180
1130	279.00	2,400	176,000	6.50	2.63	14.87	12.98	6.37	8.56	2.96	.059	.492	270
1140	401.00	2,200	253,000	7.24	2.63	16.38	14.63	7.20	10.00	3.08	.059	.492	397
1150	559.00	2,000	352,000	7.99	4.25	18.75	14.64	7.20	10.60	4.21	.059	.492	507
1160	785.00	1,750	495,000	8.98	4.75	21.00	15.83	7.80	12.00	4.50	.059	.492	708
1170	1,047.00	1,600	660,000	10.98	5.25	23.00	17.24	8.50	14.00	4.70	.059	.492	988
1180	1,452.00	1,400	915,200	12.24	6.00	24.80	19.04	9.40	15.50	5.12	.059	.492	1,303
1190	1,920.00	1,300	1,210,000	13.35	6.00	26.97	20.64	10.20	17.20	5.31	.059	.492	1,678
1200	2,618.00	1,100	1,650,000	14.21	7.00	29.02	22.24	11.00	19.60	5.71	.059	.492	2,251

GUARDEX™ STYLE "TG" GRID COUPLING

Spacer



"TG" Tapered Grid

Dimensional Data

Size	HP Per 100 rpm	Max. Speed (rpm)	Nom. Torque IN #	Bore Dia. (IN)		Dimensions (IN)							Flange Bolt No.
				Max.	Min.	A	B	BE		N	F	Gap (IN)	
								Min	Max				
1020	0.73	3,600	460	1.42	.50	4.00	1.38	3.50	7.99	2.05	3.386	.177	4
1030	2.09	3,600	1,320	1.73	.50	4.37	1.61	3.50	8.50	2.32	3.701	.197	8
1040	3.49	3,600	2,200	2.24	.50	4.63	2.13	3.50	8.50	3.07	4.449	.197	8
1050	6.11	3,600	3,850	2.52	.50	5.43	2.36	4.41	8.50	3.43	4.961	.197	8
1060	9.60	3,600	6,050	3.11	.75	5.93	2.87	5.00	12.99	4.06	5.709	.197	8
1070	14.00	3,600	8,800	3.27	.75	6.37	3.11	5.00	12.99	4.29	6.024	.197	12
1080	28.80	3,600	18,150	3.74	1.06	7.64	3.50	7.24	15.98	4.80	7.008	.197	12
1090	52.40	3,600	33,000	4.25	1.06	8.39	4.02	7.24	15.98	5.59	8.268	.197	12
1100	88.10	2,400	55,550	5.00	1.50	9.84	3.54	7.99	15.98	6.73	9.882	.256	12
1110	131.00	2,250	82,500	5.87	2.00	10.63	4.09	8.27	15.98	7.72	10.906	.256	12
1120	192.00	2,025	121,000	6.05	2.50	12.13	4.69	9.69	15.98	8.86	12.559	.374	12
1130	279.00	1,800	176,000	7.01	3.00	13.62	5.31	10.12	15.98	9.37	13.622	.374	12
1140	401.00	1,650	253,000	7.99	3.50	15.12	5.98	10.51	15.98	10.47	15.197	.374	12
1150	559.00	1,500	352,000	10.00	4.00	17.84	6.81	13.58	14.61	13.15	16.732	.374	14
1160	785.00	1,350	495,000	10.98	4.50	19.74	7.32	14.02	15.98	14.41	17.992	.374	14
1170	1,047.00	1,225	660,000	12.99	5.00	22.30	8.66	15.12	17.52	16.73	20.748	.374	16
1180	1,452.00	1,100	915,200	12.99	4.00	24.80	9.80	15.75	19.29	17.76	23.268	.374	16
1190	1,920.00	1,050	1,210,000	14.25	4.50	26.60	10.98	16.18	20.87	20.00	25.984	.374	18
1200	2,618.00	900	1,650,000	15.00	5.00	29.80	12.01	17.52	22.64	20.87	27.992	.374	18

OTHER GUARDIAN PRODUCTS:



SuperFlex Coupling

- Useful for Application With Large Driven Inertias
- Super Elastic Rubber Element
- Great Misalignment in the Torsional, Axial, Radial & Angular Directions
- No Lubrication Required



Double Disc Membrane

- Torsionally Stiff Coupling
- Zero Backlash
- Permits High Speed Operation With Excellent Balance
- Available in Single and Double Disc Designs



HH Coupling

- Torsionally Soft Coupling
- Large Torque Range (up to 265,500 IN-LBS. Max)
- Rubber Elements are Corrosion and Abrasion Resistant
- -15 to 195 Degrees F



Steel Gear Assembly

- Interchangeable With Other AGMA Gear Couplings
- Torsionally Stiff Coupling
- High Torque Rating – Up To 1 Million IN-LBS.
- Easy to Assemble & Maintain
- Optional Designs Available

Guardian Couplings Facilities

North America

USA

300 Indiana Highway 212
Michigan City, IN 46360
219-874-5248

Engineered Flywheel Couplings, Engine Housings and Pump Mounts, Flexible Shaft Couplings

Europe

United Kingdom

Merchant Drive, Hertford
Hertfordshire SG13 7BL - England
+44(0)1992 501900

Engineered Flywheel Couplings, Engine Housings and Pump Mounts, Flexible Shaft Couplings

The Brands of Altra Industrial Motion

Couplings

Ameridrives
www.ameridrives.com

Bibby Turboflex
www.bibbyturboflex.com

Guardian Couplings
www.guardiancouplings.com

Huco
www.huco.com

Lamiflex Couplings
www.lamiflexcouplings.com

Stromag
www.stromag.com

TB Wood's
www.tbwoods.com

Geared Cam Limit Switches

Stromag
www.stromag.com

Electric Clutches & Brakes

Inertia Dynamics
www.idicb.com

Matrix
www.matrix-international.com

Stromag
www.stromag.com

Warner Electric
www.warnerelectric.com

Linear Products

Warner Linear
www.warnerlinear.com

Engineered Bearing Assemblies

Kilian
www.kilianbearings.com

Heavy Duty Clutches & Brakes

Industrial Clutch
www.indclutch.com

Twiflex
www.twiflex.com

Stromag
www.stromag.com

Svendborg Brakes
www.svendborg-brakes.com

Wichita Clutch
www.wichitacutch.com

Belted Drives

TB Wood's
www.tbwoods.com

Gearing

Bauer Gear Motor
www.bauergears.com

Boston Gear
www.bostongear.com

Delroyd Worm Gear
www.delroyd.com

Nuttall Gear
www.nuttallgear.com

Overrunning Clutches

Formsprag Clutch
www.formsprag.com

Marland Clutch
www.marland.com

Stieber
www.stieberclutch.com

Neither the accuracy nor completeness of the information contained in this publication is guaranteed by the company and may be subject to change in its sole discretion. The operating and performance characteristics of these products may vary depending on the application, installation, operating conditions and environmental factors. The company's terms and conditions of sale can be viewed at <http://www.altramotion.com/terms-and-conditions/sales-terms-and-conditions>. These terms and conditions apply to any person who may buy, acquire or use a product referred to herein, including any person who buys from a licensed distributor of these branded products.

©2018 by Guardian Couplings LLC. All rights reserved. All trademarks in this publication are the sole and exclusive property of Guardian Couplings LLC or one of its affiliated companies.